

# Monocrystalline Module

JS182MHC120

**465W**

Maximum power output

**0~+5W**

Positive power tolerance

**21.48%**

Maximum Efficiency



### High power up to show

- Large area cells based on 210mm silicon wafers and half-cut cell technology
- Up to 21.48% module efficiency with high density interconnect technology
- Multi-busbar technology for better light trapping effect, lower series resistance and improved current collection



### High customer value

- Lower guaranteed first year and annual degradation
- Designed for compatibility with existing mainstream system components
- Higher return on Investment



### PID Resistant

- Minimized micro-cracks with innovative non-destructive cutting technology
- Ensured PID resistance through cell process and module material control

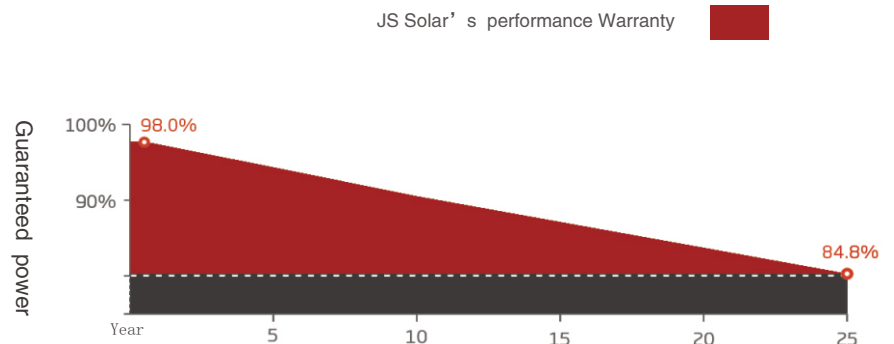
**25**

### 25-year power warranty

## Comprehensive Products and System Certificates

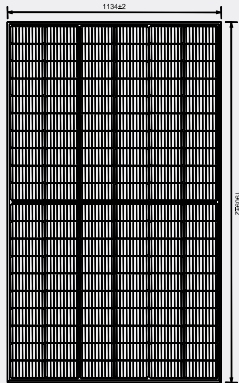
ISO 9001  
ISO 14001  
ISO 45001  
IEC 61215/IEC 61730  
CGC

JS Solar's performance Warranty

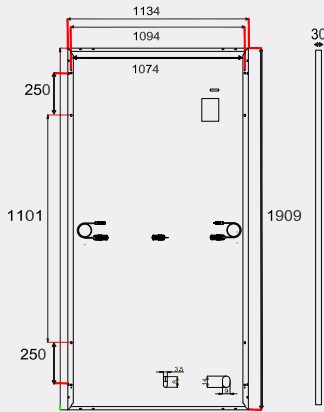


## Module Size (mm)

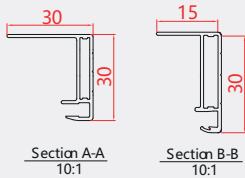
Module Size (mm)



Front View



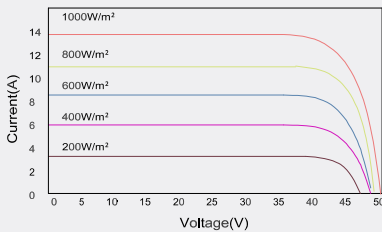
Back View



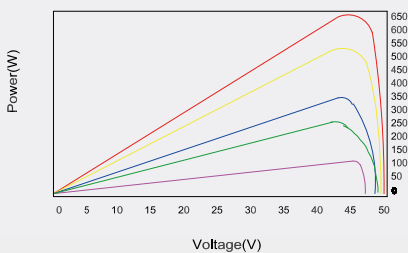
Section A-A  
10:1

Section B-B  
10:1

I-V CURVES OF PV MODULE (450W)



P-V CURVES OF PV MODULE (450W)



## ELECTRICAL DATA (STC)

Peak Power Watts-PMAX (Wp)	450	455	460	465
Power Tolerance-PMAX (W)	0 ~ +5			
Maximum Power Voltage-VMPP (V)	34.70	34.9	35.2	35.4
Maximum Power Current-IMPP (A)	12.96	13.02	13.08	13.14
Open Circuit Voltage-VOC (V)	41.4	41.6	41.8	42.0
Short Circuit Current-ISC (A)	13.68	13.73	13.78	13.83
Module Efficiency $\eta$ m (%)	20.79%	21.02%	21.25%	21.48%

STC: Irradiance 1000W/m<sup>2</sup> Cell Temperature 25°C Air Mass AM1.5.  
\*Measuring tolerance:  $\pm$ 3%.

## ELECTRICAL DATA (NOCT)

Maximum Power-PMAX (Wp)	331	335	339	343
Maximum Power Voltage-VMPP (V)	32.34	32.54	32.74	32.94
Maximum Power Current-IMPP (A)	10.24	10.30	10.35	10.40
Open Circuit Voltage-VOC (V)	36.68	38.88	39.08	39.28
Short Circuit Current-ISC (A)	10.78	10.83	10.88	10.93

NOCT: Irradiance 800W/m<sup>2</sup>, Ambient Temperature 20°C Wind Speed 1m/s

## MECHANICAL DATA

Solar Cells	Monocrystalline
Cell Orientation	120 cells
Module Dimensions	1909x1134x30 mm
Weight	23 kg
Glass	3.2 mm, High Transmission, AR Coated Heat Strengthened Glass
Encapsulant Material	EVA
Backsheet	White
Frame	35 mm Anodized Aluminium Alloy
J-Box	IP 68 rated
Cables	Photovoltaic Technology Cable 4.0mm <sup>2</sup> Portrait: N 300mm/P 300mm Length can be customized

\*Please refer to regional datasheet for specified connector.

## TEMPERATURE RATINGS

NOCT(Nominal Operating Cell Temperature)	43°C ( $\pm$ 2°C)
Temperature Coefficient of PMAX	-0.34%/°C
Temperature Coefficient of VOC	-0.25%/°C
Temperature Coefficient of ISC	0.04%/°C

## MAXIMUM RATINGS

Operational Temperature	-40 ~ +85°C
Maximum System Voltage	1500V DC (IEC)
Max Series Fuse Rating	20A

## PACKAGING CONFIGURATION

Modules per box: 36 pieces

Modules per 40' container: 864 pieces